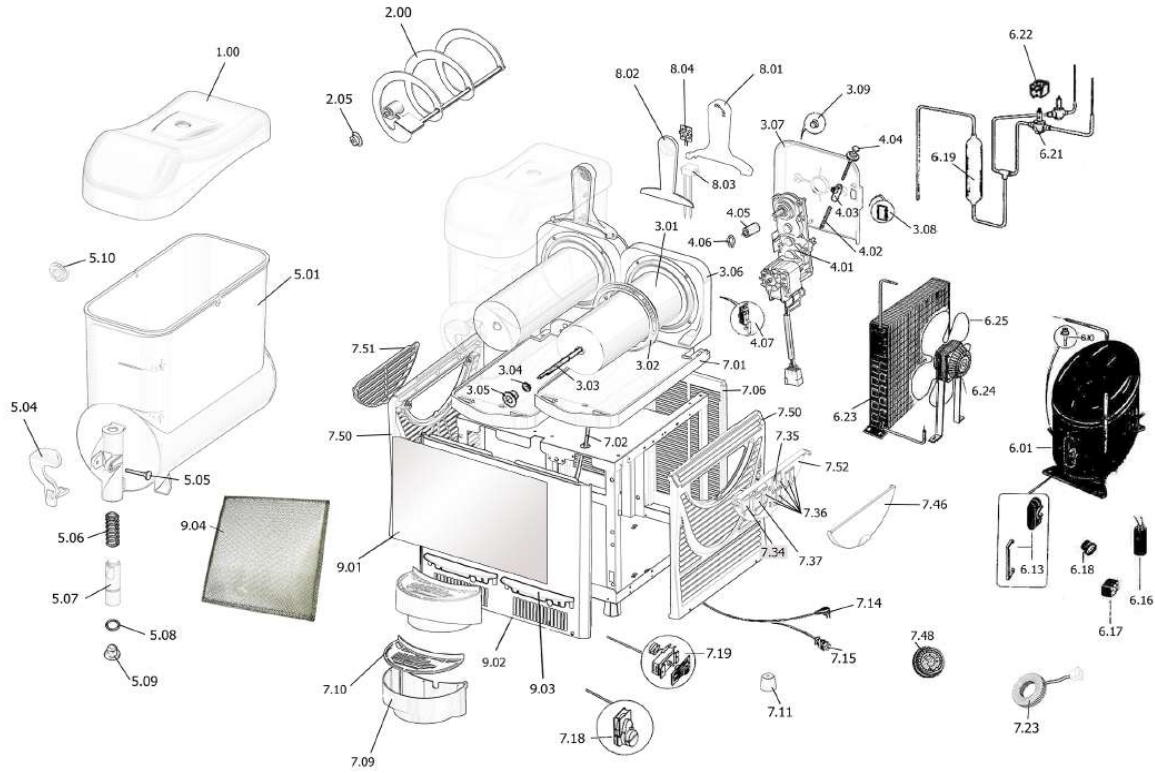


## Faby Skyline Machine FP Parts Exploded Drawing



Item	Part Description	Manufacturer Part No.	FP Stock No.
1.00	Tank Lid Black	SL008N	FP218064
2.00	Spiral Complete Black	F 304/N/1	FP218000
2.05	Faby Front Drive Seal White	F 026/2	FP218001
3.01	Evaporator Assembly	FEV4GM	n/s
3.02	Rear Tank Gasket Black	F019/N	FP218002
3.03	Drive Shaft	F 303	FP218043
3.04	Faby Sealing Ring (inside evaporator)	F 022/1	n/s
3.05	Faby Evaporator Bushing White	F 226	FP218003
3.06	Evaporator Support Grey	F029GM	n/s
3.07	Back Cover for Evaporator Support Black	F 030/N	FP218049
3.08	Mini Door Black to access consistency wheel	F 031/N	FP218058
3.08	Mini Door Blue to access consistency wheel	F031BM	n/s
3.09	Screw Cover Black	F 032/N	n/s
4.01	Gearmotor	F 033/1	FP218017
4.02	Spring for Consistency Screw	F 036	FP218041
4.03	Spring Guide	F 035	FP218042
4.04	Wheel for Consistency Adjustment	F 034	FP218032
4.05	Brass Bushing	F 317	FP218026
4.06	Cir-Clip Drive Shaft	F 021	FP206191
4.07	Microswitch (gearmotor)	1061/UL	FP218015
5.01	Tank 10ltr	F 009	FP218004
5.04	Tap Handle Skyline Black	SL009N	FP218005
5.05	Pin for Tap Handle	F 013	FP218006
5.06	Tap Spring	F 014	FP218007
5.07	Tap Spigot Black	F 015	FP218008
5.08	Tap 'O' Ring	F 016	FP218009
5.09	Tap End Seal	F 017	FP218010
5.10	Tank Bushing	F 315/3	FP218011
6.01	Compressor Faby Skyline	F 214	n/s

Item	Part Description	Manufacturer Part No.	FP Stock No.
6.10	Shrader Valve and Cap Compressor	n/s	n/s
6.16	Start Capacitor Compressor Faby Skyline	F 083/4	FP218025
6.17	Relay Compressor Faby Skyline	F 081/4	FP218023
6.18	Overload Compressor Faby Skyline	F 082/4	FP218024
6.19	Drier Faby Skyline 2 & 3 Bowl	1184	n/s
6.21	Gas Valve Assembly	F 617	FP218054
6.22	Solenoid Coil Gas Valve	F 620	FP218053
6.23	Condenser Faby Skyline	F 084/3	n/s
6.24	Fan Motor Faby Skyline 16watt	1099	FP218018
6.25	Fan Blade	1100	n/s
7.01	Upper Condensation Tray Skyline Black	SL001N	n/s
7.01	Upper Condensation Tray Skyline Grey	SL001G	n/s
7.02	Drain Tube (condensation tray)	1087	FP206047
7.06	Back Panel Skyline Blue	F072BM	FP218028
7.09	Drip Tray Black	GV2MODN	FP218013
7.10	Drip Tray Insert Black		FP218013
7.09	Drip Tray Grey	GV2MODG	n/s
7.10	Drip Tray Insert Grey		n/s
7.11	Adjustable Foot	F 627	FP218036
7.14	Power Cable UK	1231 U.K/1	n/s
7.18		n/s	n/s
7.19	Thermostat	1025	n/s
7.23	Transformer 60va - 11v Skyline	F 049/4	FP218044
7.34	Main Power Switch ON/OFF	F 131	FP218047
7.35	Stir Switch	F 133	FP218039
7.36	Freeze and Chill Switch	F 132	FP218039
7.37	Freeze and Chill Switch bipolar (old version)	1350	FP218040
7.46	Cover for Control Panel	SL005G	FP218034
7.48	Digital Timer	SL017	FP206349
7.50	Left and Right Hand Side Panel Blue Skyline	SL002B	FP218027
7.51	Small Side Panel Insert Skyline	SL003G	FP218031
7.52	Side Control Panel Skyline	SL004G	FP218033
8.01	Cover for LED (old version) Black	SL012G	FP218037
	Cover for LED (new version) Black		FP218
8.02	Translucent Cover LED (old version) Clear	SL013	FP218038
	Translucent Cover LED (new version) Clear		FP218062
8.03	LED Socket	SL016	FP218021
8.04	LED (old version)	SL007	FP218020
	LED Plate (new version)		FP218059
9.01	Front Panel POS Slush Puppie Faby Skyline 2	F 709	n/s
9.02	Front Panel Stainless Steel	SL011	n/s
9.03	Edge Black	F 703N	FP218035
9.04	Condenser Filter	F 176	FP218014
	Compressor Switch Relay		FP218063
	Light Transformer		n/s
	Faby New Front Drive Seal (clear)		FP218051
	Faby New Evaporator Flange Seal (black)		FP218050
	Locking Bar and Padlock		FP218022
	Light Ballast		FP218060